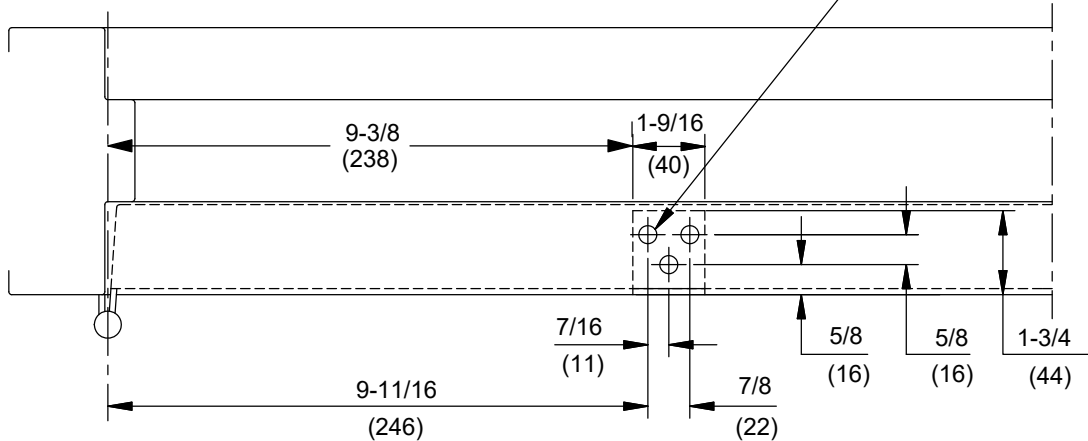
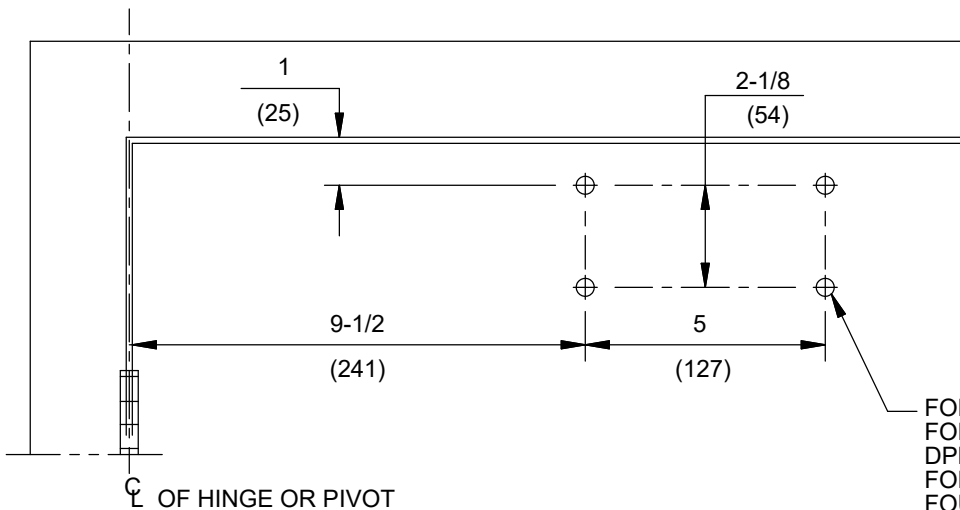


FOR 1/4-20 MACHINE SCREWS USE 7/32 DRILL & TAP
 DPK FASTENERS DRILL 1/8" PILOT HOLE
 FOR No. 14 WOOD SCREWS USE 5/32" DRILL
 THREE (3) HOLES IN RABBET FOR BRACKET

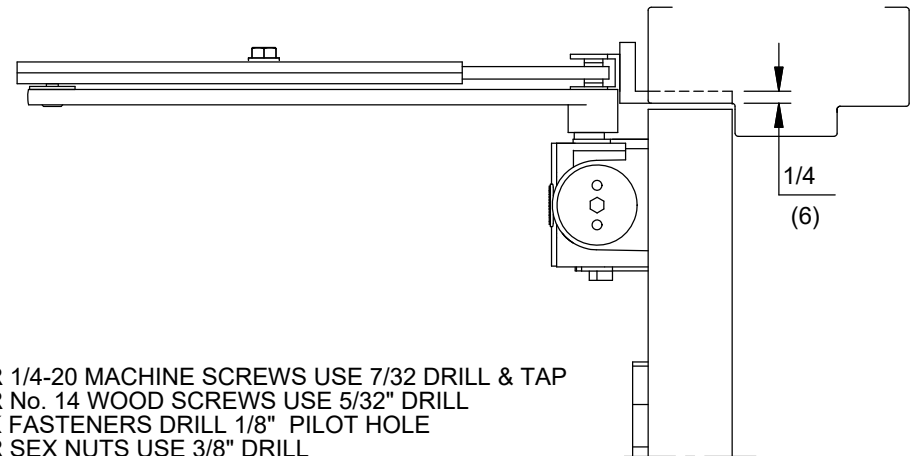


NOTES:

1. DO NOT SCALE DRAWING.
2. DIMENSIONS ARE IN INCHES/(MM).
3. RIGHT HAND DOOR SHOWN
4. CAUTION: SEX NUTS ARE REQUIRED FOR ATTACHMENT OF COMPONENTS ON UNREINFORCED DOORS AND TO WOOD OR PLASTIC FACED COMPOSITE TYPE FIRE DOORS, UNLESS AN ALTERNATIVE METHOD IS IDENTIFIED IN THE INDIVIDUAL DOOR MANUFACTURER'S LISTING.
5. MAXIMUM OPENING 180°
6. OPTIONAL DPK FASTENERS (DPK89) FOR STEEL DOOR & FRAME ONLY.

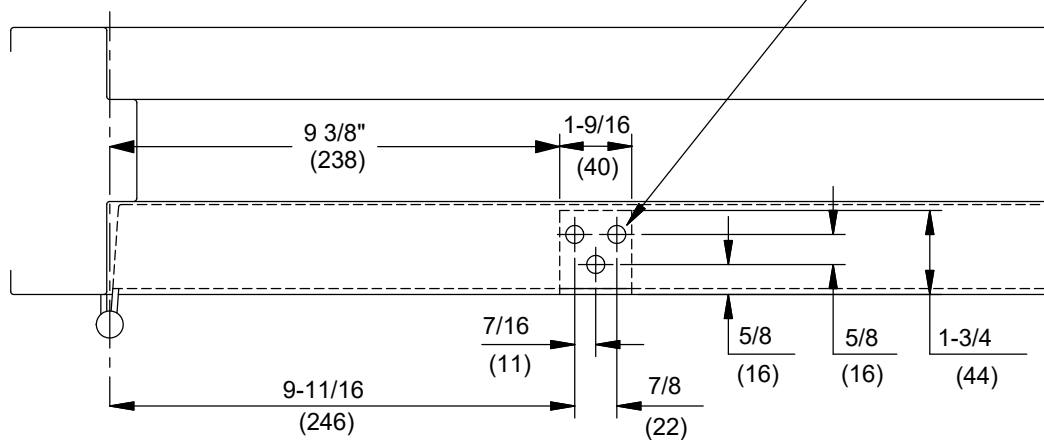


FOR 1/4-20 MACHINE SCREWS USE 7/32 DRILL & TAP
 FOR No. 14 WOOD SCREWS USE 5/32" DRILL
 DPK FASTENERS DRILL 1/8" PILOT HOLE
 FOR SEX NUTS USE 3/8" DRILL
 FOUR (4) HOLES IN DOOR FOR CLOSER



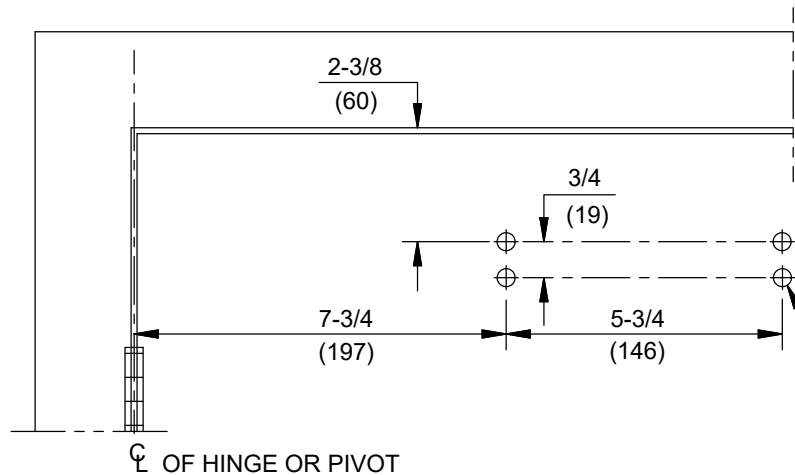
DOOR CLOSER MODELS: 8916, 8956 AF89 x MJ
 REGULAR INSTALLATION (PULL SIDE MOUNT)

FOR 1/4-20 MACHINE SCREWS USE 7/32" DRILL & TAP
 FOR No. 14 WOOD SCREWS USE 5/32" DRILL
 DPK FASTENERS DRILL 1/8" PILOT HOLE
 THREE (3) HOLES IN RABBET FOR BRACKET

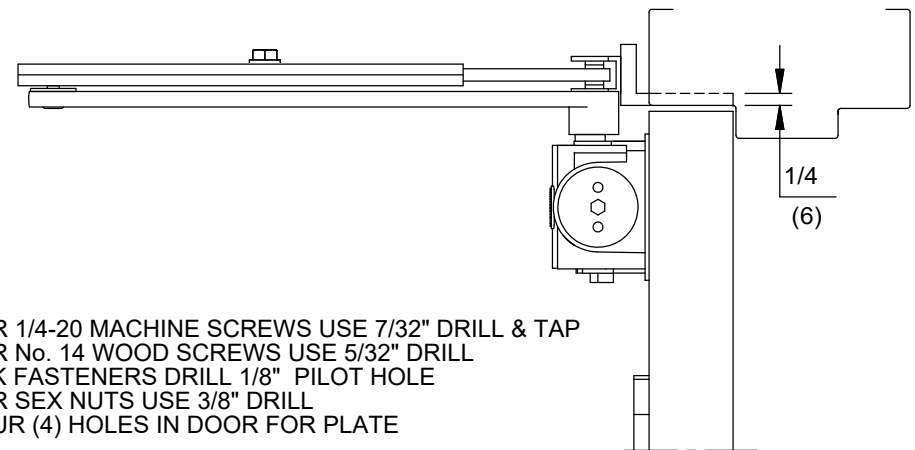


NOTES:

1. DO NOT SCALE DRAWING.
2. DIMENSIONS ARE IN INCHES/(MM).
3. RIGHT HAND DOOR SHOWN
4. CAUTION: SEX NUTS ARE REQUIRED FOR ATTACHMENT OF COMPONENTS ON UNREINFORCED DOORS AND TO WOOD OR PLASTIC FACED COMPOSITE TYPE FIRE DOORS, UNLESS AN ALTERNATIVE METHOD IS IDENTIFIED IN THE INDIVIDUAL DOOR MANUFACTURER'S LISTING.
5. MAXIMUM OPENING 180°
6. OPTIONAL DPK FASTENERS (DPK89) FOR STEEL DOOR & FRAME ONLY.



FOR 1/4-20 MACHINE SCREWS USE 7/32" DRILL & TAP
 FOR No. 14 WOOD SCREWS USE 5/32" DRILL
 DPK FASTENERS DRILL 1/8" PILOT HOLE
 FOR SEX NUTS USE 3/8" DRILL
 FOUR (4) HOLES IN DOOR FOR PLATE



DOOR CLOSER MODELS: 8916, 8956 AF89 x MJ
 REGULAR INSTALLATION (PULL SIDE MOUNT)
 WITH PLATE BP89